

WS2 *Intumescent Wrap Strip*

PRODUCT DESCRIPTION

PFP Partners' WS2 - A highly intumescent wrap strip designed to firestop combustible pipes and insulated pipe penetrations. In the case of a fire, the intumescent strips expand to constrict and close off combustible pipes.

PFP Partners' WS2 has been tested and listed as a firestop device for use on ABS, CPVC, PVC PEX & PP piping systems.

The WS2 strip is non-hazardous, safe for the environment and does not require special shipping procedures. It does not contain solvents and is VOC compliant.

The WS2 strips are non-hazardous, safe for the environment and do not require special shipping procedures. WS2 do not contain solvents and are VOC compliant.

Meets the green building guidelines for adhesives and sealants as specified by both the US and Canada Green Building Council's LEED (Leadership in Energy and Environmental Design) Green Building Rating Systems.

GENERAL APPLICATION AND USES

The WS2 strip has been designed specifically to seal non-metallic through-penetrations against the spread of fire, smoke, fumes and toxic gases in 1 & 2 hour rated floor and wall assemblies.

WS2 strip has been tested and approved as an effective firestop by third party testing agencies: Underwriters Laboratories (UL & ULC) and meets the requirements of ASTM E-814 and UL 1479 at a minimum positive pressure of 0.01 inches (2.5 Pa) of water.

The WS2 strips can be used for slip-in applications (where the strip is wrapped around the penetration and slipped into the annular space) and do-it-yourself adaptive metal collar applications. When using the adaptive metal collar, apply the WS2-strips as required and then calculated the length of adaptive metal collar needed to completely wrap around the outside diameter of WS2-strips plus 1 in. (25 mm) for overlap. Secure the adaptive metal collar around the penetration with min 1/2 in. (13 mm) wide stainless steel hose clamps.

Refer to UL published Fire Resistance Directories or website. PFP Partners recommends that this product be installed by those trained in proper installation procedures (TQ Card) and be able to read and understand a firestop system design listing (i.e. UL and/or WHi listing designs).

SECTION CONTENTS	Page No.
General Information	1
Technical Data	1
Installation Guidelines and Suggested Use	2
Ordering Information.....	2
Adaptive Collar & WS2 Installation.....	3



WS2 - Intumescent Wrap Strip

PACKAGING

- 1 in. x 1/4 in. by 12 foot (25 mm x 6 mm by 3.66 m) rolls
- 2 in. x 1/4 in. by 12 foot (51 mm x 6 mm by 3.66 m) rolls

COLOR

Black

ADAPTIVE METAL COLLAR



PACKAGING

- 1 in. x 50 foot (25 mm x 15.2 m) roll
- 2 in. x 50 foot (51 mm x 15.2 m) roll

Tested and Classified for use in Fire Rated Assemblies:

- Concrete Floors
- Concrete Walls
- Framed Floors
- Framed Walls

Firestopping Penetration Items:

- ccABS and ABS pipes
- CPVC pipes
- ccPVC and PVC pipes
- PEX pipes
- FRPP pipes

PRODUCT FEATURES

- Used on vented or closed piping systems
- Easily installed - wrap around penetration - no waste
- Complies to Environmental Exposure Testing of Accelerated Aging and High Humidity as per UL 1479
- Inert formula will not interact with substrates
- Product is stable over several freeze/thaw cycles; however, care should be taken to not freeze the product
- Product is mold and mildew resistant
- Post-consumer recyclable

TECHNICAL DATA

Shelf Life	Not applicable when stored in its original undamaged, unopened packaging (when stored in a cool dry place, 40°F to 90°F (4°C to 32°C)). All items should be warmed to at least 45°F (7°C) prior to installation.	Expansion Material	Intumescent strips
		Intumescent Temperature	375°F (190°C)
		Highest Intumescent	575°F to 1110°F (302°C to 593°C)
		In-Service Temperature	40°F to 90°F (4°C to 32°C)
		VOC (less water)	<10 g/L

Disclaimer: All technical advices, recommendations and services rendered by the seller are gratis. They are based on technical data which the seller believes to be reliable and are intended for use by person having the skills and know how at their own discretion and risk. In no event will the seller be liable for any consequential damages arising out of the use of this product.



Recycled Recyclable



1.800.810.1788 Technical Support
1.800.810.1788 Customer Service

www.firestop.com
email: firestop@firestop.com

Passive Fire Protection Partners
1412 Derwent Way Delta, BC V3M 6H9

INSTALLATION GUIDELINES AND SUGGESTED USE

Application

- Method: Tightly wrap the WS2 strips (refer to applicable listing regarding number of layers) around penetration and slide the strips into the annular space between penetrant and substrate, use aluminum tape to secure wrap strips.
- Application Requirements - Refer to Applicable Listing:
 - Walls: Installation required on both sides of the wall.
 - Floors: Generally requires installation on the underside of the floor.
- Caution: Some systems require mineral wool; do not apply sealant to wet mineral wool.. Mineral wool may cause eye, skin or respiratory tract irritation consult mineral wool manufacturer's MSDS

Installation Preparation

- WS2 strips should be applied to surfaces that are clean and free of dust, dirt and grease.

Health and Safety

- Hand and eye protection is highly recommended, consult the MSDS.

First Aid

- In case of contact with eyes, flush with large amount of water and consult a physician. For skin contact, wash thoroughly with soapy water. Contact a physician if skin irritation develops or persists. Consult the MSDS for additional information.

Special Application

- WS2 should not be installed in submerged conditions.

MAINTENANCE

The WS2 does not require maintenance after installation. If, after installation, the firestop sealant is damaged or cut, repairs should be made with the same sealant. Use only materials approved by through-penetration firestop manufacturer as suitable for repair of original seal. Never mix different manufacturer's firestopping materials.

CHEMICAL COMPATIBILITY

The WS2 are chemically compatible with all types of plastic pipes listed in the system designs.

STORAGE, HANDLING, TRANSPORTATION

Manufacturer recommends storage temperatures between 40°F to 90°F (4°C to 32°C). Keep product stored in a protected covered area in its original containers. Storage in high heat, high humidity conditions may reduce products shelf life. A stock rotation program is recommended. Transportation temperatures 45°F to 85°F (7°C to 30°C) DO NOT ALLOW TO FREEZE.

WARRANTY

Passive Fire Protection Partners will not accept liability for more than product refund. Any claim regarding product defect must be received in writing within 1 year from date of shipment. Passive Fire Protection Partners makes no other warranty or guarantee, express or implied, including warranties or fitness for a particular purpose or merchantability. The seller shall assume on other liability for incidental or consequential damages arising out of the sale or use of this product.

LIMITATIONS

This product is not designed to be a waterproof seal. Not recommended for continuous submersion or use below the waterline. For best results, store and install above 45°F (7°C). Application of this product is not recommended when frost or moisture is present on the surface to be sealed..

ORDERING INFORMATION

WS2 - Intumescent Wrap Strip - Packaging

Cat No.	Size	Color	Units per Case	Units per Skid
S22-12F	0.25 inch thick by 2 inches wide by 12 feet long (6 mm thick by 51 mm wide by 3.66 m long)	Black	1 roll	100 rolls

Adaptive Metal Collar - Packaging

Cat No.	Size	Color	Units per Case	Units per Skid
M-1-50F	1 inch wide by 50 foot (25 mm by 15.2 m) roll	Metal	1 roll	100 rolls
M-2-50F	2 inch wide by 50 foot (51 mm by 15.2 m) roll	Metal	1 roll	100 rolls

Disclaimer: All technical advices, recommendations and services rendered by the seller are gratis. They are based on technical data which the seller believes to be reliable and are intended for use by person having the skills and know how at their own discretion and risk. In no event will the seller be liable for any consequential damages arising out of the use of this product.

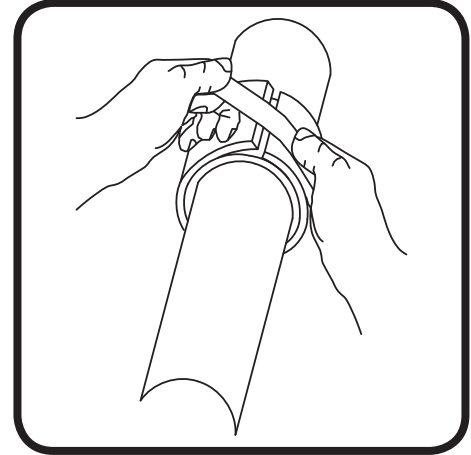


ADAPTIVE COLLAR & WS2 INSTALLATION

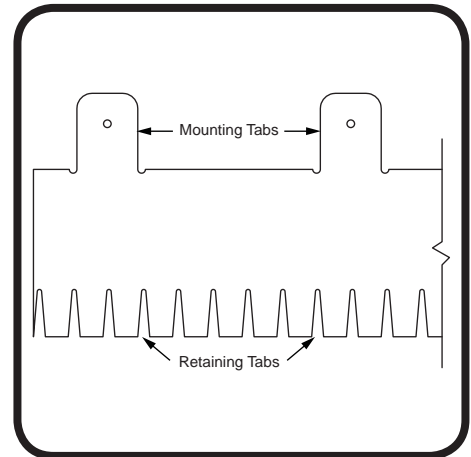
Step

1. Clean the area around the non-metallic pipe where the PFP Partners' WS2 and Adaptive Collar is to be installed. Seal the annular space around the pipe with PFP Partners' 3600EX (walls both sides; floors: top side - Refer to UL listed system design for depth and additional information).

Cut the WS2 to the size of the non-metallic pipe. WS2 is tightly wrapped around penetration (film side exposed) and temporarily held in position using tape, wire or equivalent. If the listed system design requires additional wrap strips, overlay layers of the WS2 on top of each other. The butted ends in successive layers are to offset.



- 2a. Calculate the required length of the Adaptive Collar (min 0.41 mm (0.016 in.) galv sheet steel) to completely cover the outer diameter of the installed WS2 strips, plus overlap.



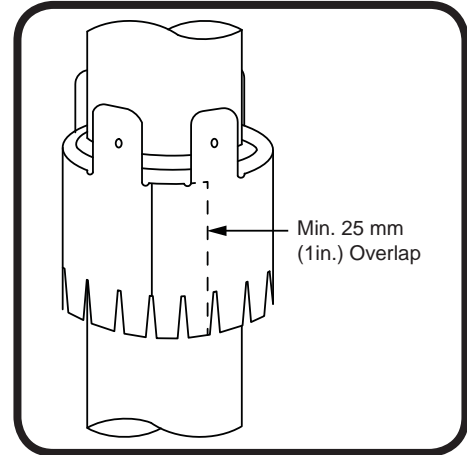
PDS-WS2

Disclaimer: All technical advices, recommendations and services rendered by the seller are gratis. They are based on technical data which the seller believes to be reliable and are intended for use by person having the skills and know how at their own discretion and risk. In no event will the seller be liable for any consequential damages arising out of the use of this product.

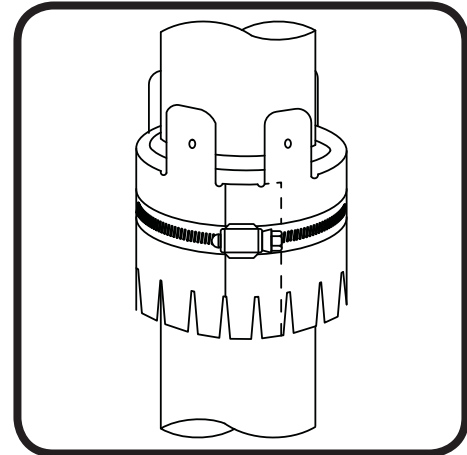


Step

- 2b. Adaptive Collar cut to completely cover the outer diameter of the installed WS2 strips, plus an addition of 25 mm (1 in.) overlap.



- 3. Adaptive Collar secured around the WS2 strips and penetration using min. 13 mm wide by 7 mm thick (0.5 in. wide by 0.028 in. thick) stainless steel hose clamp installed at mid-height of the Adaptive Collar.



PDS - WS2

Disclaimer: All technical advices, recommendations and services rendered by the seller are gratis. They are based on technical data which the seller believes to be reliable and are intended for use by person having the skills and know how at their own discretion and risk. In no event will the seller be liable for any consequential damages arising out of the use of this product.



Recycled
Recyclable



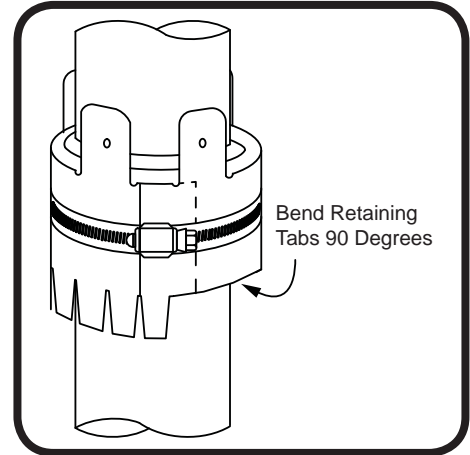
1.800.810.1788 Technical Support
1.800.810.1788 Customer Service

www.firestop.com
email: firestop@firestop.com

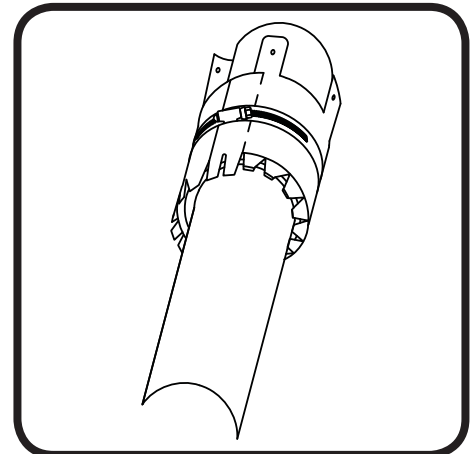
Passive Fire Protection Partners
1412 Derwent Way Delta, BC V3M 6H9

Step

4a. Bend retaining tabs 90 degrees towards the penetration. Tabs may be bent flush against penetration or trimmed to length to cover the WS2 strip layers.



4b. Tabs may be bent flush against penetration or trimmed to length to cover the WS2 strip layers.



PDS-WS2

Disclaimer: All technical advices, recommendations and services rendered by the seller are gratis. They are based on technical data which the seller believes to be reliable and are intended for use by person having the skills and know how at their own discretion and risk. In no event will the seller be liable for any consequential damages arising out of the use of this product.



Recycled
Recyclable



1.800.810.1788 Technical Support
1.800.810.1788 Customer Service

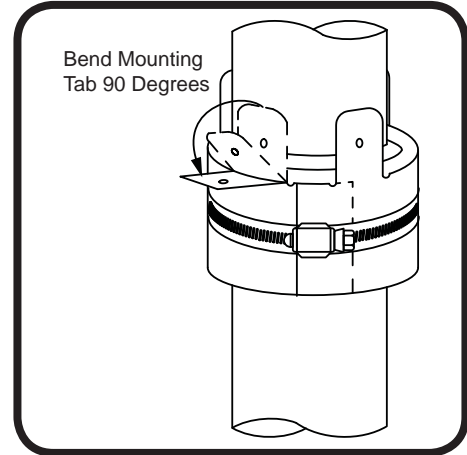
www.firestop.com
email: firestop@firestop.com

Passive Fire Protection Partners
1412 Derwent Way Delta, BC V3M 6H9

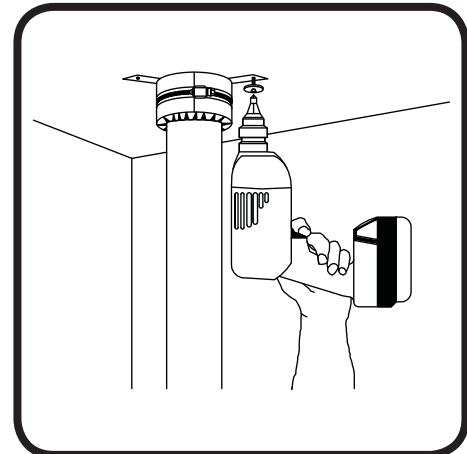
© 2016 PFP Partners. All rights reserved.

Step

- 5. Bend mounting tabs 90 degrees away from collar.



- 6. Slide the collar assembly against the wall or floor assembly and secure with appropriate steel fasteners and fender washers (Refer to the UL system design).



PDS - WS2

Disclaimer: All technical advices, recommendations and services rendered by the seller are gratis. They are based on technical data which the seller believes to be reliable and are intended for use by person having the skills and know how at their own discretion and risk. In no event will the seller be liable for any consequential damages arising out of the use of this product.



Recycled
Recyclable



1.800.810.1788 Technical Support
1.800.810.1788 Customer Service

www.firestop.com
email: firestop@firestop.com

Passive Fire Protection Partners
1412 Derwent Way Delta, BC V3M 6H9