

FCW-44 Firestop Cable Way

PRODUCT DESCRIPTION

PFP Partners' FCW-44s are made with a durable two-piece powder coated steel case that contains an intumescent core designed to firestop combustible pipes and cables. In the case of a fire, the FCW's intumescent core expands to constrict to close off and seal around cables and voids. FCW-44 have been tested and listed as a firestop device for use on voids and for penetrations of conduits, cables and wires.

The FCW-44 two-piece design allows an easy retrofit solution to pre-existing cable or void installations.

The FCW-44s are non-hazardous, safe for the environment and do not require special shipping procedures. It does not contain solvents and is VOC compliant. Cleaning up is easy with just soap and water (non-cured state.)

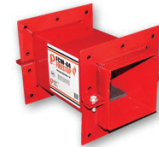
Meets the green building guidelines for adhesives and sealants as specified by both the US and Canada Green Building Council's LEED (Leadership in Energy and Environmental Design) Green Building Rating Systems.

GENERAL APPLICATION AND USES

FCW-44s have been designed specifically to seal electrical cables/wires and future cable/wire penetrations against the spread of fire, smoke, fumes and toxic gases in 1 & 2 hour rated wall assemblies.

FCW-44s have been tested and approved as a firestop device by Intertek Testing Services - Warnock Hersey (WHi) and meets the requirements of ASTM E-814, CAN/ULC S115 & UL 1479. Refer to WHi published Fire Resistance Directories or its website. PFP Partners recommends that this product be installed by those trained in proper installation procedures (TQ Card) and be able to read and understand a firestop system design listing (i.e. WHi listing designs).

SECTION CONTENTS	Page No.
General Information	1
Technical Data	1
Installation Guidelines and Suggested Use	2
Ordering Information.....	2



FCW-44 – Firestop Cable Way

PACKAGING
4 inch by 4 inch by 10-1/2 inches
(101 mm by 101 mm by 267 mm)

COLOR
Red

Tested and Classified for use in Fire Rated Assemblies:

- Concrete Walls
- Framed Walls

Firestopping Penetration Items:

- Conduits
- Electrical Cables
- Electrical Wires
- Voids

PRODUCT FEATURES

- Easily installed - in new installations or for retrofitting existing installations
- Easily identifiable as a firestop device
- Environmentally Safe – No harmful components, solvent free and is VOC compliant – LEEDs – California Air Resource Board SCM Districts – Rule 113 – South Coast Air Quality Management Districts (SCAQMD)
- Inert formula will not interact with substrates
- Product is stable over several freeze/thaw cycles; however, care should be taken to not freeze the product
- Product is mold and mildew resistant
- Post-consumer recyclable

TECHNICAL DATA

Housing	Two piece powder coated steel case	Color	Red
Shelf Life	Not applicable when stored in its original undamaged, unopened packaging (when stored in a cool dry place, 40°F to 90°F (4°C to 32°C)). All items should be warmed to at least 45°F (7°C) prior to installation.	Expansion Material	Intumescent core
In-Service Temperature	Up to 180°F (82°C)	Volume Expansion	1000% (free expansion)
		Intumescent Temperature	302°F (150°C)
		VOC (less water)	0 g/L

Disclaimer: All technical advices, recommendations and services rendered by the seller are gratis. They are based on technical data which the seller believes to be reliable and are intended for use by persons having the skills and know how at their own discretion and risk. In no event will the seller be liable for any consequential damages arising out of the use of this product.



INSTALLATION GUIDELINES AND SUGGESTED USE

Application

- Method: By hand. Cut correct size of opening; slide FCW-44 into opening; attach clamps to both sides of the wall; install cables and smoke plugs.

Installation Preparation

- FCW-44s should be applied to surfaces that are dry, clean and free of dust, dirt and grease.

Health and Safety

- Hand and eye protection is highly recommended, consult the MSDS.

First Aid

- In case of contact with eyes, flush with large amount of water and consult a physician. For skin contact, wash thoroughly with soapy water. Contact a physician if skin irritation develops or persists. Consult the MSDS for additional information.

Special Application

- FCW-44s should not be installed in submerged conditions.

MAINTENANCE

FCW-44s do not require maintenance after installation. If, after installation, the firestop sealant is damaged or cut, repairs should be made with the same sealant. Use only materials approved by through-penetration firestop manufacturer as suitable for repair of original seal. Never mix different manufacturer's firestopping materials.

CHEMICAL COMPATIBILITY

FCW-44s are chemically compatible with all types of metal and plastic jacketed wires and cables listed in the system designs.

STORAGE, HANDLING, TRANSPORTATION

Manufacturer recommends storage temperatures between 40°F to 90°F (4°C to 32°C). Keep product stored in a protected covered area in its original container. Storage in high heat, high humidity conditions may reduce products shelf life. A stock rotation program is recommended. Transportation temperatures 45°F to 85°F (7°C to 30°C) DO NOT ALLOW TO FREEZE.

WARRANTY

Passive Fire Protection Partners will not accept liability for more than product refund. Any claim regarding product defect must be received in writing within 1 year from date of shipment. Passive Fire Protection Partners makes no other warranty or guarantee, express or implied, including warranties or fitness for a particular purpose or merchantability. The seller shall assume no other liability for incidental or consequential damages arising out of the sale or use of this product.

LIMITATIONS

This product is not designed to be a waterproof seal. Not recommended for continuous submersion or use below the waterline. For best results, store and install above 45°F (7°C). Application of this product is not recommended when frost or moisture is present on the surface..

ORDERING INFORMATION

FCW-44 - Firestop Cable Way - Packaging

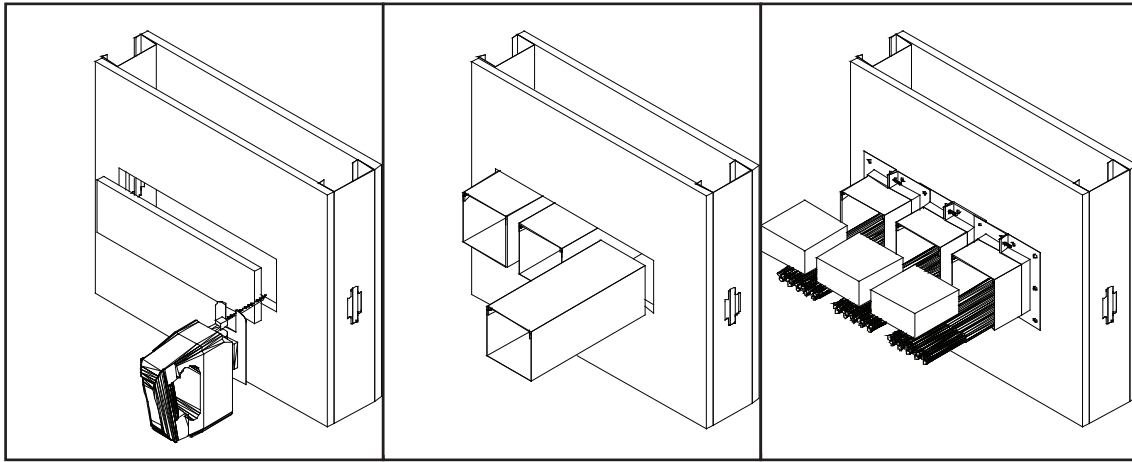
Cat No.	Size	Mounting Bracket	Color	Units per Carton	Units per Skid
FCW-44FCB	4 inch by 4 inch by 10-1/2 inch (101 mm by 101 mm by 267 mm)	Corner Brackets	Red	12	720
FCW-44FWC	4 inch by 4 inch by 10-1/2 inch (101 mm by 101 mm by 267 mm)	Wall Clamps	Red	12	720

Disclaimer: All technical advices, recommendations and services rendered by the seller are gratis. They are based on technical data which the seller believes to be reliable and are intended for use by persons having the skills and know how at their own discretion and risk. In no event will the seller be liable for any consequential damages arising out of the use of this product.



Installation Instructions for Multiple FCW-44 Using the Wall Clamps

New Construction

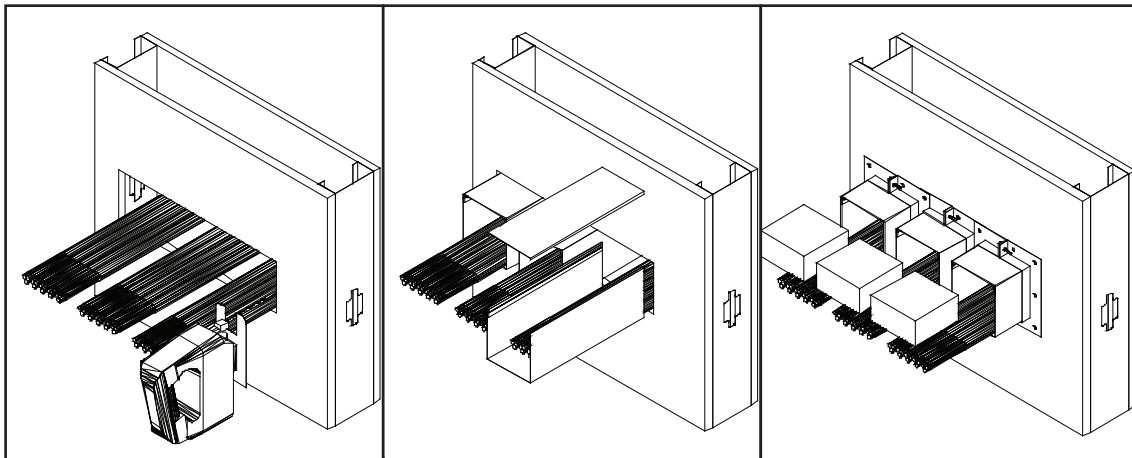


Cut correct size of opening.

Slide the FCW-44s into opening; leaving 28.6 mm (1-1/8 in.) between FCWs.

Attach brackets together and then attach brackets to both sides of the wall; install cables and smoke plugs.

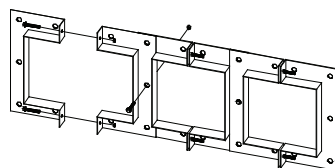
Retrofitting



Cut correct size of opening.

Fit cables into bottom of the FCW-44; close the lid and slide the FCW-44 into the opening leave 28.6 mm (1-1/8) between FCWs.

Attach brackets together and then attach brackets to both sides of the wall; install smoke plugs.



Bolt brackets together using the center hole; then install and bolt the brackets together at the top and bottom of the bracket attaching the brackets to the wall using drywall screws or concrete anchors depending on wall type.

Disclaimer: All technical advices, recommendations and services rendered by the seller are gratis. They are based on technical data which the seller believes to be reliable and are intended for use by persons having the skills and know how at their own discretion and risk. In no event will the seller be liable for any consequential damages arising out of the use of this product.



PDS -FCW-44

Recycled
Recyclable



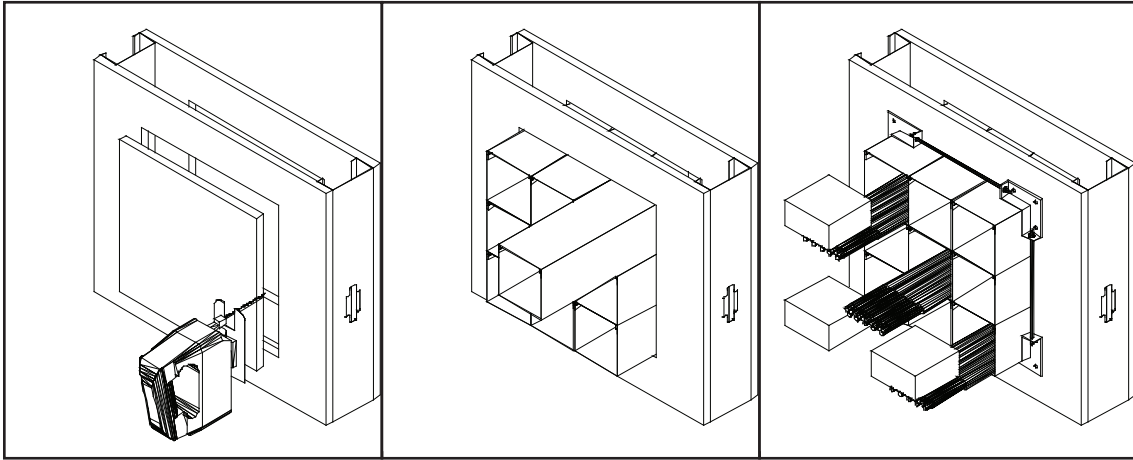
1.800.810.1788 Technical Support
1.800.810.1788 Customer Service

www.firestop.com
email: firestop@firestop.com

Passive Fire Protection Partners
1412 Derwent Way Delta, BC V3M 6H9

Installation Instructions for Multiple FCW-44 Using the Corner Brackets

New Construction

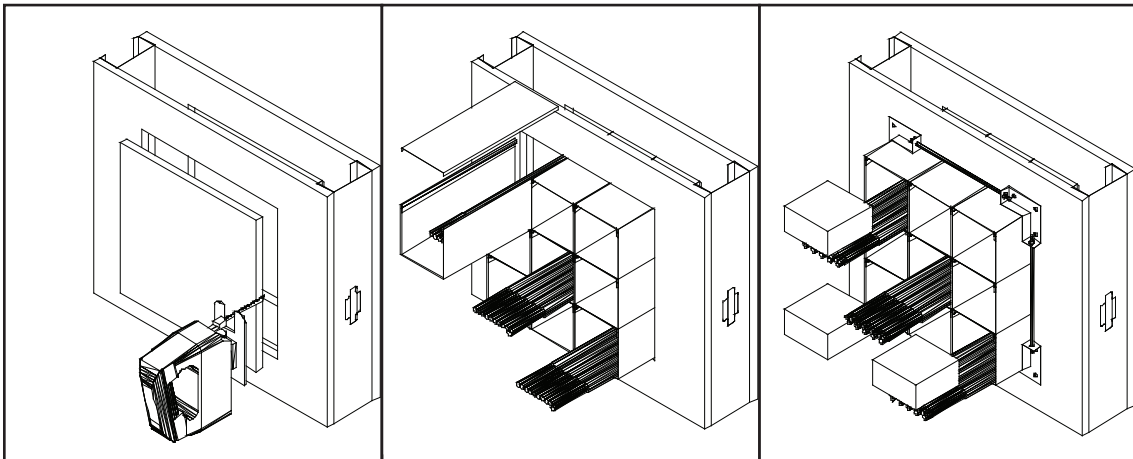


Cut opening to the correct size.

Slide the FCW-44s into opening; FCWs to be stack together.

Attach corner brackets and threaded- rods to both sides of the wall; install cables & smoke plugs.

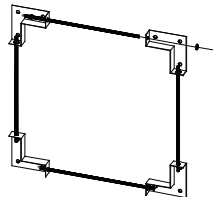
Retrofitting



Cut opening to the correct size.

Fit cables into the bottom of the FCW-44; close the lid and slide the FCW-44 in the opening stacking the FCWs together

Attach corner brackets and threaded- rods to both sides of the wall; install smoke plugs.



Bolt corner brackets together using the thread rod, cut to fit number of FCW-44s; then install the bolted corner brackets to both sides, attaching the corner brackets to wall using drywall screws or concrete anchors depending on wall type.

Disclaimer: All technical advices, recommendations and services rendered by the seller are gratis. They are based on technical data which the seller believes to be reliable and are intended for use by persons having the skills and know how at their own discretion and risk. In no event will the seller be liable for any consequential damages arising out of the use of this product.

